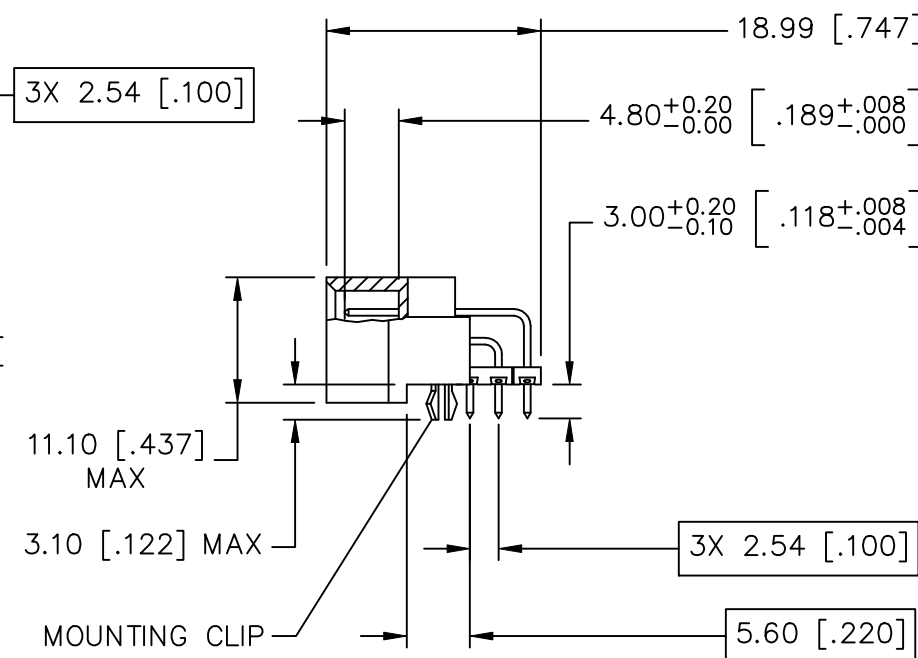
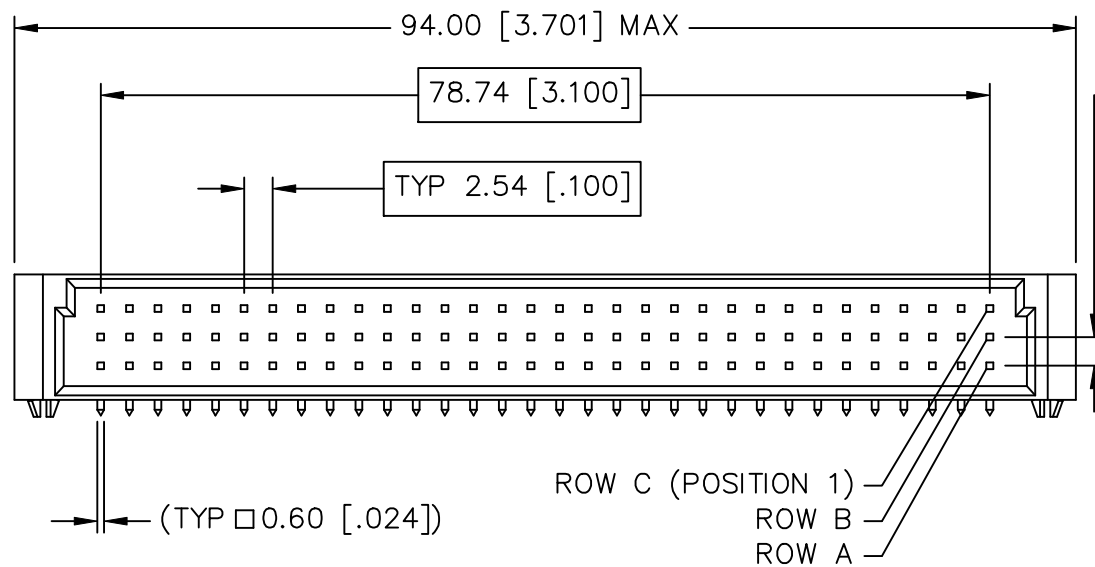
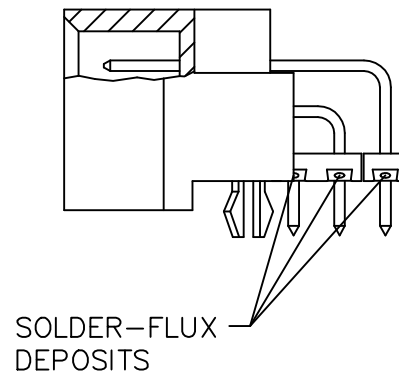
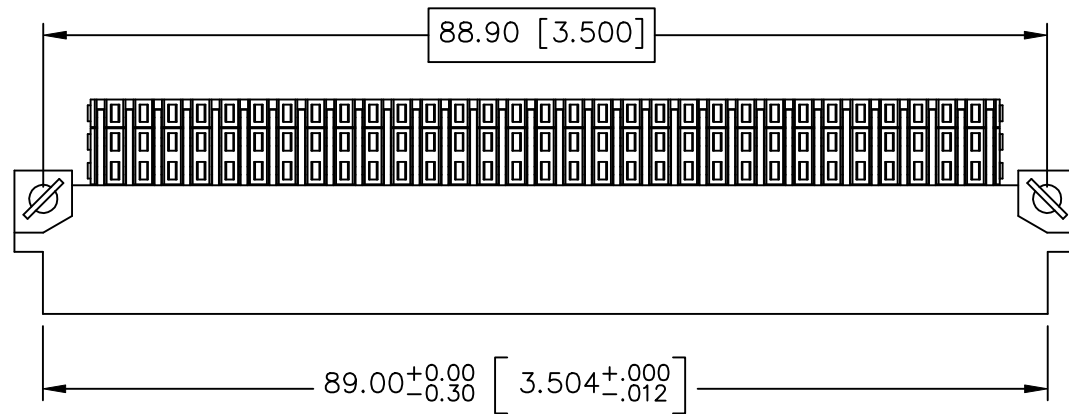


Rev	Description	Date	By
B	GENERAL UPDATE	12/16/02	JSC



MATERIALS:

HOUSING: HIGH TEMPERATURE THERMOPLASTIC, UL RATED 94-V0
 CONTACT: COPPER ALLOY
 MOUNTING CLIP: STEEL
 SOLDER: 63-37 TIN-LEAD W/ NO-CLEAN FLUX

CONTACT FINISH:

INTERFACE AREA: 30 MICROINCHES GOLD
 SOLDER TAIL AREA: 100 MICROINCHES MIN TIN-LEAD
 UNDERPLATE: 50 MICROINCHES MIN NICKEL

PERFORMANCE CHARACTERISTICS - MECHANICAL

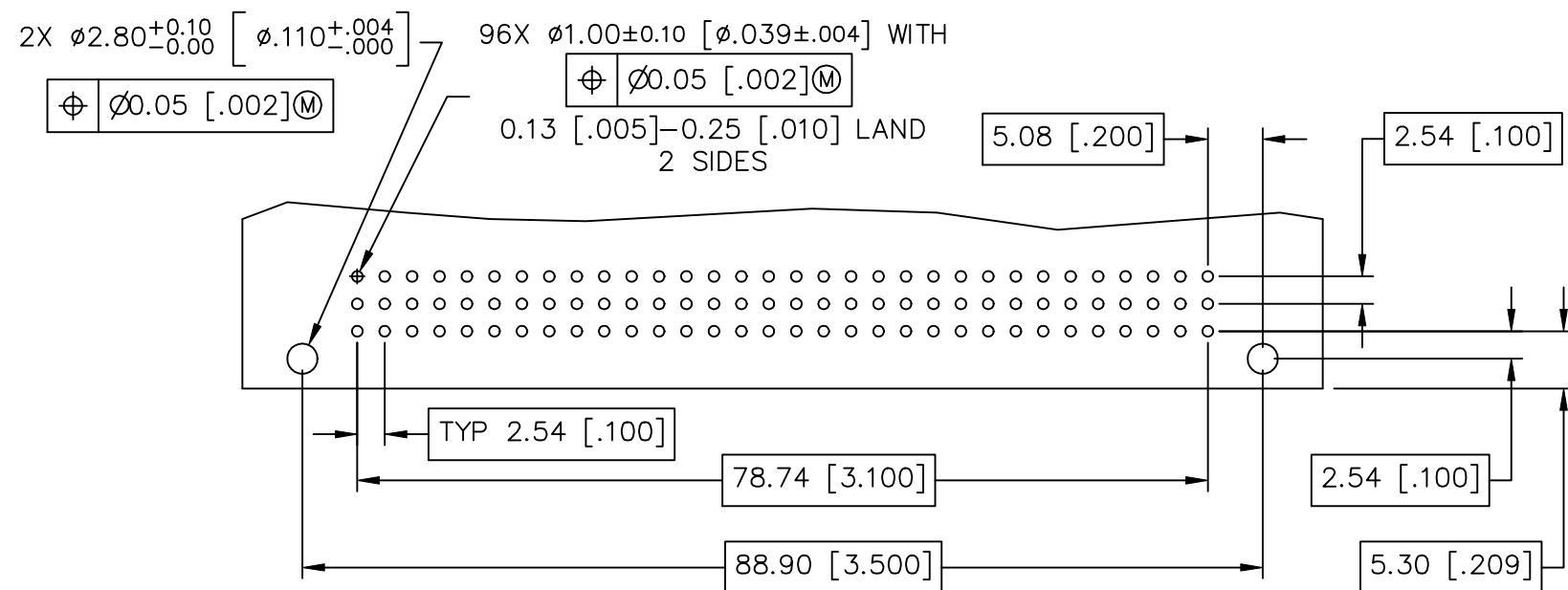
DURABILITY: 400 CYCLES MINIMUM
 OPERATING TEMP: -55°C TO +125°C

PERFORMANCE CHARACTERISTICS - ELECTRICAL

CONTACT RESISTANCE: 20 MILLIOHMS MAX INITIAL
 CURRENT CAPACITY: 1 AMP MAX PER CONTACT
 DIELECTRIC STRENGTH: 1000V (RMS)
 INSULATION RESISTANCE: 10,000 MEGAOHMS MIN

NOTES: UNLESS OTHERWISE SPECIFIED

- 1 INTERPRET THIS DRAWING IN ACCORDANCE WITH ASME Y14.5M-1994
- 2 PRODUCT SHOWN ON THIS DRAWING CONFORMS TO ALL APPLICABLE DIN SPECIFICATIONS
- 3 FOR OTHER SIZES, FINISHES OR ADDITIONAL DATA CONTACT TEKA'S CUSTOMER SERVICE DEPARTMENT



Unless otherwise specified: All dimensions are: mm [Inches]	Drawn by: J CACHINA	Date: 10/25/02	i-tronik S.p.A Via dell'Artigianato n. 20 35010 Peraga di Vigonza (PD) Tel. +39.049.895.23 Fax. +39.049. 893.4822 commerciale@itronik.it; www.itronik.it	
	Checked by: JSC	Date: 10/28/02		
-Tolerances-	Title: SB 96 POSITION DIN 41612 MALE CONNECTOR		Part No: SDMS-3324L-D-000	
No of places	mm	[IN]	Ref No: S20259	Scale: 1.5:1
one	±0,5	±.020		
two	±0,25	±.010		
three	±0,13	±.005	Sheet 1 of 1	
Angular	±2°			